

Accordance Systems

ARAID™ M70 Compact SATA RAID

Never lose data from a hard disk crash again™

"Many organizations are taking advantage of mirroring technology to augment their recovery capabilities. "

Paul Mayer
Product Manager
Datalink Corporation



ARAID M70 fits into a 3-1/2" drive bay connecting to any motherboard supporting a RAID 1 array for data protection.

The Most Affordable ARAID Ever

The ARAID M70 is our most affordable, most compact, most versatile product for protecting data ever. The new ARAID M70 provides the same RAID 1 intelligence as other Accordance RAID products but mounts in a standard 3-1/2" drive bay. The unit mirrors data to two SATA hard drives providing 24/7 protection of computer hard drive data.

Installation and Use

ARAID M70 is a SATA subsystem that mounts in a single drive bay and automatically builds a RAID 1 array on the fly with two drives. Start with your existing computer hard drive and add a secondary drive to the M70.

The ARAID M70 appears to your computer as a single, standard hard drive maintaining redundant copies of data on each drive. If one of the disks fails, the ARAID operates uninterrupted on the surviving drive.

No software is required for installation or operation. Installing an ARAID is as simple as installing a simple hard drive to your motherboard.

Features

- Creates RAID1 disk array for data protection
- System keeps running even when a drive fails
- Uses any 2.5" or 3.5" SATA drives
- Requires no additional software or controller cards to operate
- Utilize your existing PC drive
- Audio, LCD and Email status alerts
- Includes an SNMP Agent for enterprise network management.

Data Redundancy

RAID 1 systems mirror data onto two drives by transparently performing all data write operations to both drives. Overall, the ARAID M70 imposes less than a 2% overhead on the computer system.

Connect To Any Operating System

The ARAID M70 subsystem supports all operating system platforms including Windows, Linux and Mac. It requires no software or controller cards to operate. Attach two SATA drives and your data is fully protected

Compatible Operating Systems

Windows: Server 2003, Vista, XP, 2000, NT4.0, ME/98/95

Macintosh: OS9 and above

Linux: Red Hat, SUSE, Slackware, Debian, Mandrake

DOS: 6.22 and above

SCO UNIX: System V

Novell: NetWare

Sun: Solaris

BSD: OpenBSD, NetBSD, BSDi, FreeBSD

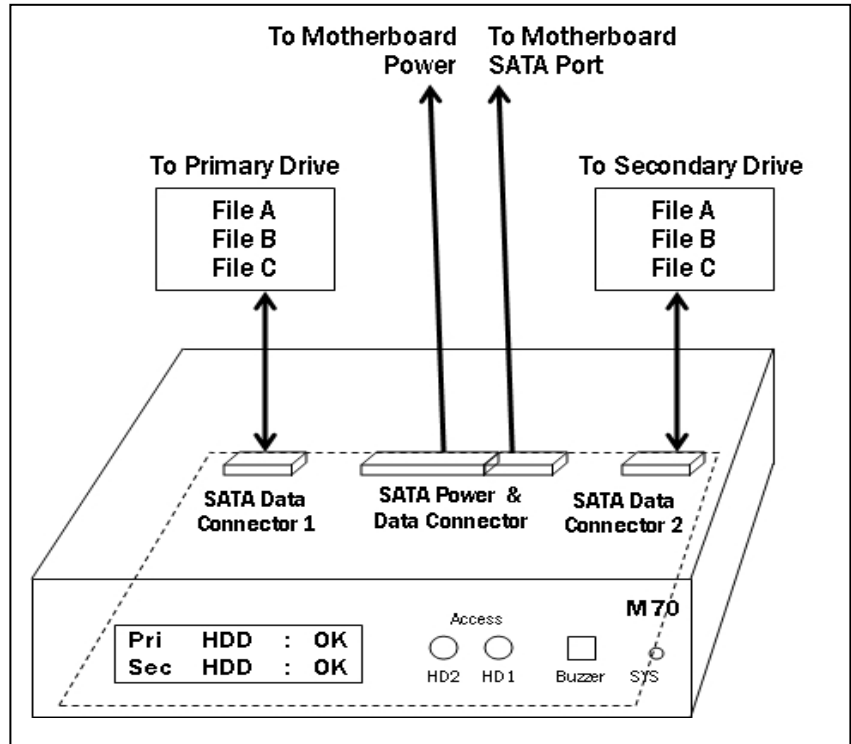


Figure 1. Connecting the ARAID M70

Use 2.5" or 3.5" SATA Drives

The M70 connects to the SATA port of your motherboard or SATA controller and the SATA drives mounted in your PC.

Local Management

Accordance provides a Windows and Linux monitoring program for the ARAID that provides drive operation status, fan speed and temperature status.

SNMP Management

Accordance provides an SNMP Agent (Simple Network Management Protocol) for the ARAID M70. SNMP simplifies the management and monitoring of multiple ARAID units in enterprise networks. Information provided includes disk status, fan speed and temperature. It is compatible with Accordance's OpManager, HP's OpenView, and IBM's NetView. The Accordance SNMP Agent supports an enterprise MIB, MIB II and ARAID traps.

Ordering Information

Part Number	Description	Color
886-0001-MB	ARAID M70 Compact RAID Unit	Black



Accordance Systems
3636 Westown Parkway, Suite 203
Des Moines, IA 50266
Ph: (515) 223-4845, Fx: (515) 226-3462
www.accordancesystems.com